

# TECH 4U 811-785

## LGA1151 6th/7th Generation Intel® Core™ i7/i5/i3/Pentium®/Celeron® ATX with Triple Display, DDR4, SATA III



Conforming to  
BIS Standard  
IS 13252  
(Part-1): 2010

CE FCC

### Features

- Supports Intel® 6th/7th generation Core™ i7/i5/i3/Pentium®/Celeron® processor with Q170 chipset
- Four DIMM sockets support up to 64 GB DDR4 1866/2133
- Supports triple display VGA/2 DVI-D and dual GbE LAN
- Supports SATA RAID 0, 1, 5, 10, USB 3.0
- Supports Intel vPro, AMT 11.0 & TPM technologies.
- Supports Single & Redundant ATX power supplies.
- Easy to install front-accessible drive bays to hold three 5.25" and one 3.5" disk drives.
- Front-accessible USB & PS/2 interfaces.
- Designed to withstand environmental extremes, such as shock, vibration and high temperature.
- Front LEDs indicate power status, and HDD activity.
- Lockable front door prevents unauthorized access.
- Dual front-accessible filtered cooling fans provide optimized and streamlined airflow.
- Supports Internal 5.25" DVD-RW.

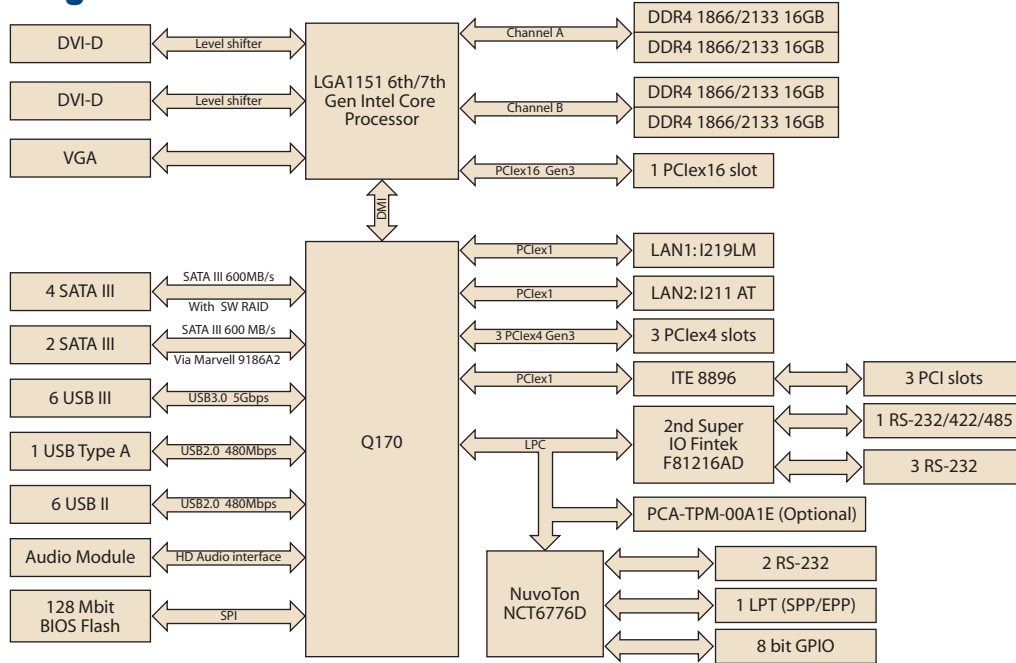
**Note 1: TPM module is required to enable Intel vPro and TPM technologies.**

**Note 2: Intel 7th generation processors only support Windows 10 (64-bit).**

### Specifications

Processor System	CPU	i7-7700	i7-7700T	i7-6700	i7-6700TE	i5-7500	i5-7500T	i5-6500	i5-6500TE	i3-7101E	i3-7101TE	i3-6100	i3-6100TE				
	Speed	3.6GHz	2.9GHz	3.4GHz	2.4GHz	3.4GHz	2.7GHz	3.2GHz	2.3GHz	3.9GHz	3.4GHz	3.7GHz	2.7GHz				
	L3 Cache	8MB	8MB	8MB	8MB	6MB	6MB	6MB	6MB	3MB	3MB	4MB	4MB				
	Socket	LGA1151															
	Chipset	Q170															
	BIOS	AMI 128 Mbit SPI															
Expansion Slot	PCI	32-bit/33 MHz, 3 slots															
	PCIe x 4 (Gen3)	4 GB/s per direction, 3 slots															
	PCIe x16 (Gen3)	16 GB/s per direction, 1 slot															
Memory	Technology	Dual Channel DDR4 1866/2133															
	Max. Capacity	64 GB															
	Socket	4 x 288-pin DIMM															
Graphics	Controller	Intel HD Graphics															
	VRAM	1 GB maximum shared memory with 2 GB and above system memory installed															
Ethernet	Interface	10/100/1000 Mbps															
	Controller	GbE LAN1: Intel I219LM, GbE LAN2: Intel I211AT															
	Connector	RJ-45 x 2															
SATA	Max Data Transfer Rate	600 MB/s															
	Channel	6 (4 from Intel® Q170 and 2 from Marvell 9186A2)															
	RAID	0,1,5,10 (4 SATAIII ports from Intel®)															
Rear I/O	VGA	1 (Up to 1920x1200@60Hz)															
	DVI-D	2 (Up to 1920x1200@60Hz)															
	Ethernet	2															
	USB	6 (USB3.0 x 4, USB2.0 x 2)															
	Audio	2 (Mic-in, Line-out)															
	Serial	1 (RS-232)															
	PS/2	-															
Internal Connectors	USB	7 (USB 3.0 with wafer box x 2, USB 2.0 with wafer box x 4, USB 2.0 with type A connector x 1)															
	Serial	5 (4 x RS-232, 1 x RS-232/422/485)															
	SATA	6															
	Parallel	1 (SPP/EPP)															
	Display Port	-															
	IrDA	-															
	GPIO	8-bit															
PS/2 KB/Mouse	1 (Optional PS/2 KB/Mouse Cable is required)																
Watchdog Timer	Output	System reset															
	Interval	Programmable 1 ~ 255 sec															
Power Requirement	Power On	Intel Core i7-6700 3.4GHz; DDR4 2133 8GB x 4															
	Voltage	+12V				+5V				+3.3V		+5Vsb		-12V		-5V	
	Current	6.78A				1.38A				1.35A		0.12A		0.05A		0.05A	
Environment	Operating											Non-Operating					
	Temperature	0 ~ 60 °C (32 ~ 140 °F), depends on CPU speed and cooler solution										-40 ~ 85 °C (-40 ~ 185 °F)					
Physical Characteristics	Dimensions (W x H x D)	482 x 177 x 479 mm (19" x 7" x 18.9")															

### Block Diagram



### Ordering Information

Part Number	Chipset	Memory	Display	USB 3.0	USB 2.0	COM	GbE LAN	AMT	SATA III	SW RAID
TECH 4U 811-785	Q170	Non-ECC DDR4 1866/2133 up to 64GB	VGA + dual DVI	6	7	6	2	Yes	6	Yes

Note: SATA0 and SATA1 (red SATA ports) don't support RAID function.

### Front View



### Rear View



### Bracket View

